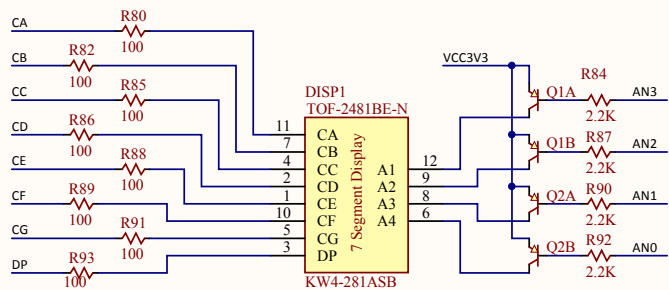
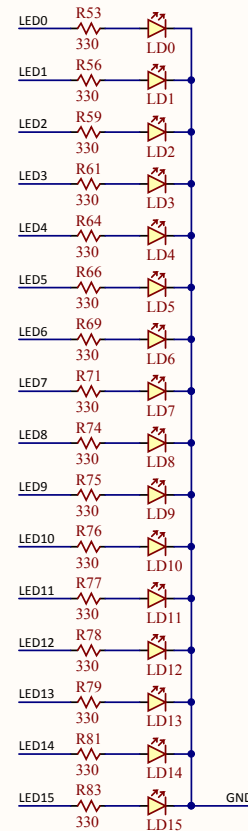
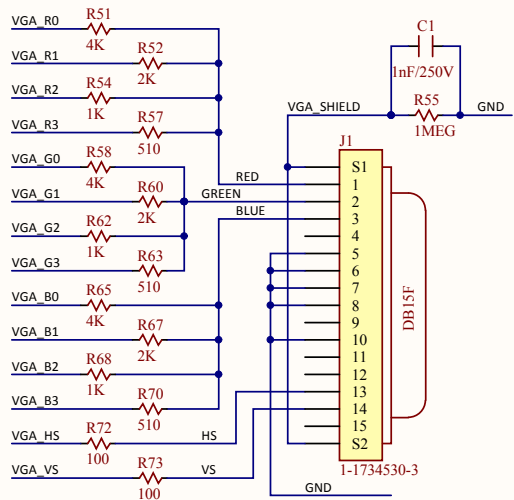



- F1 Foot
- F2 Foot
- F3 Foot
- F4 Foot

Title		Rev	
<h1>Basys 3</h1>		<h1>C.0</h1>	
		Copyright 2014	
Circuit		PMOD, I/O	
Doc#		500-183	
Engineer		MTA	
Author		GMA	
Date		5/21/2014	
Sheet#		1 out of 8	

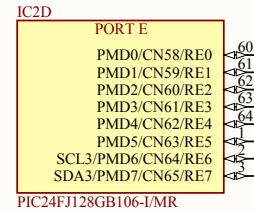
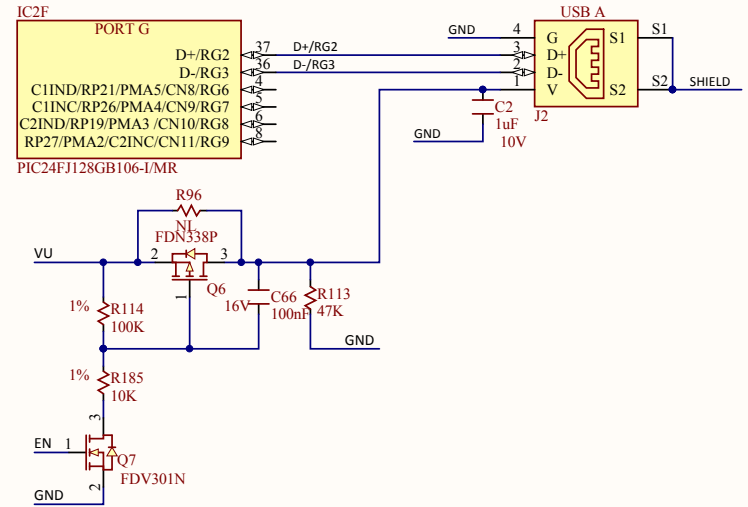
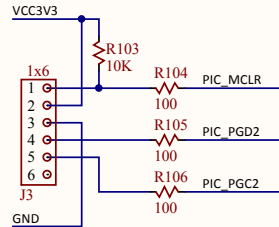
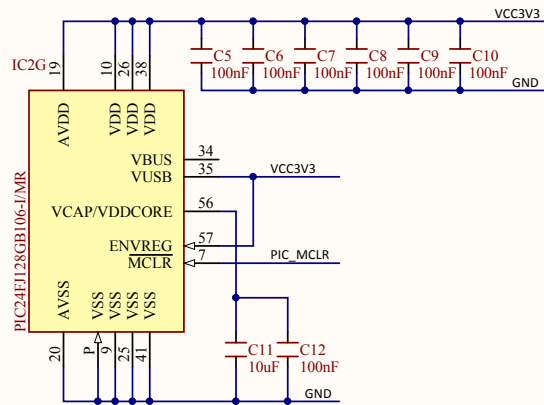
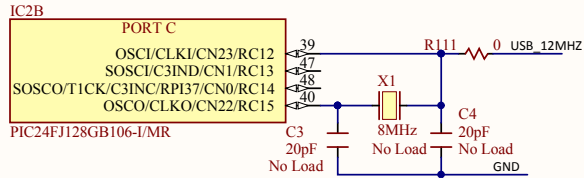
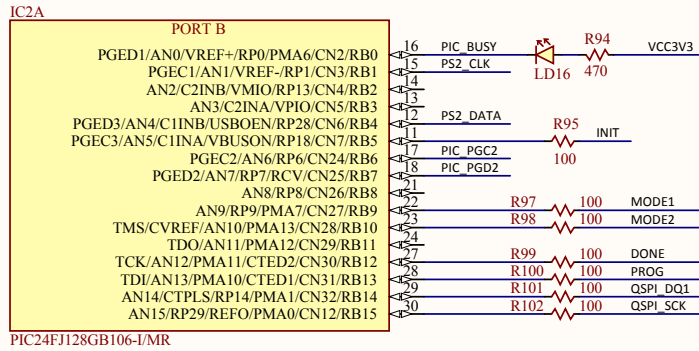





Title		Rev	
Basys 3		C.0	
		Copyright 2014	
Circuit			
7 SEG, VGA, LEDs			
Doc# 500-183			
Engineer MTA			
Author GMA			
Date 5/21/2014			
Sheet# 2 out of 8			



DIGILENT
BEYOND THEORY



Title		
<h1>Basys 3</h1>		
Rev		C.0
Copyright		2014
Circuit	USB HID	
Doc#	500-183	
Engineer	MTA	
Author	GMA	
Date	5/21/2014	
Sheet#	3 out of 8	

1

2

3

4

A

A

B

B

C

C

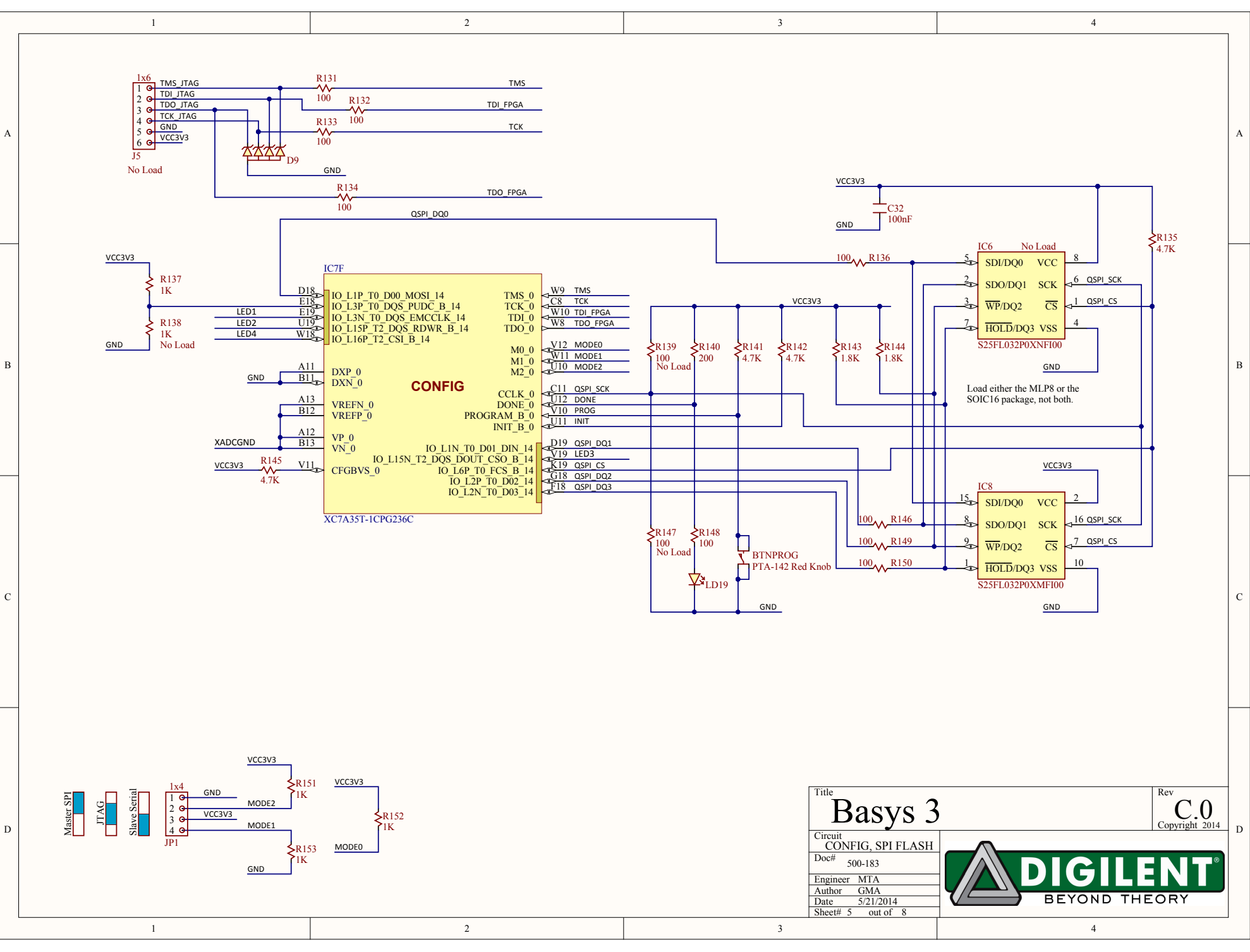
D

D

This page is intentionally left blank

Title		Rev	
Basys 3		C.0	
Circuit		Copyright 2014	
USB PROG/UART			
Doc#	500-183		
Engineer	MTA		
Author	GMA		
Date	5/21/2014		
Sheet#	4	out of	8



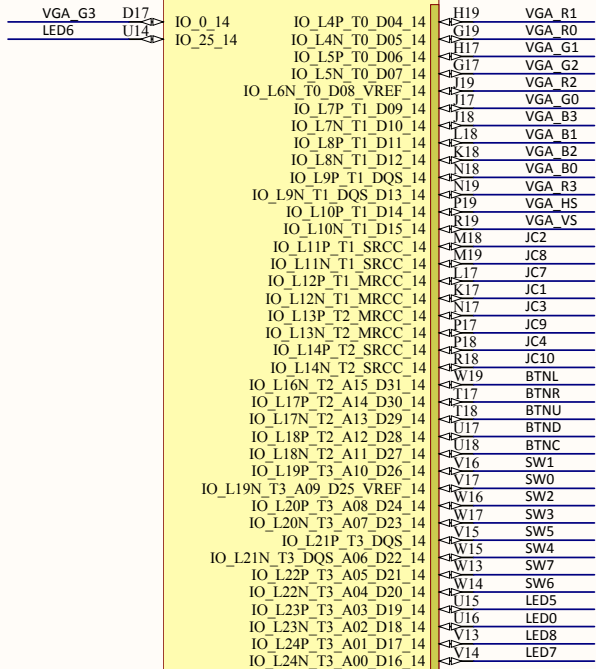


Title		Rev
Basys 3		C.0
Circuit		Copyright 2014
CONFIG, SPI FLASH		
Doc#	500-183	
Engineer	MTA	
Author	GMA	
Date	5/21/2014	
Sheet#	5 out of 8	



IC7A

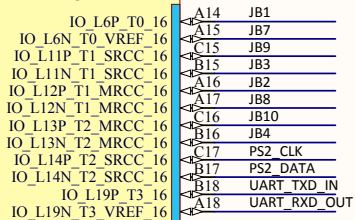
BANK 14



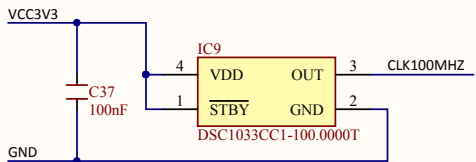
XC7A35T-1CPG236C

IC7B

BANK 16

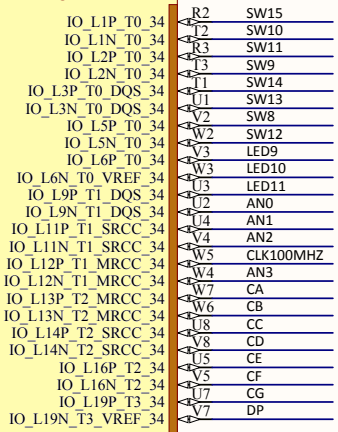


XC7A35T-1CPG236C



IC7C

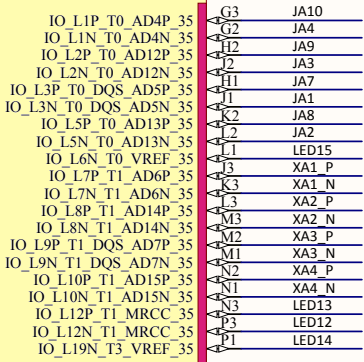
BANK 34



XC7A35T-1CPG236C

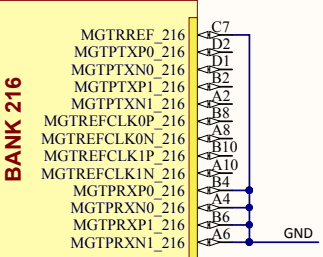
IC7D

BANK 35

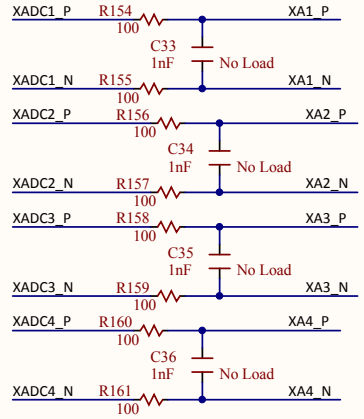


XC7A35T-1CPG236C

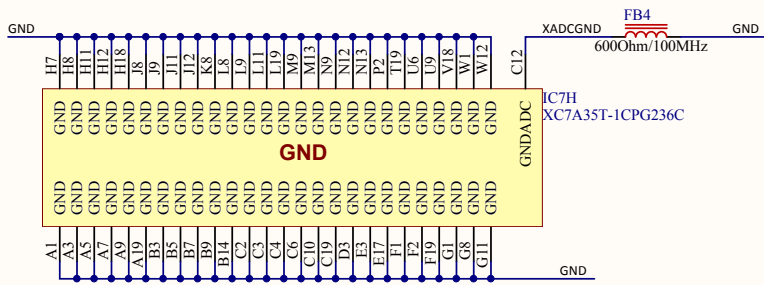
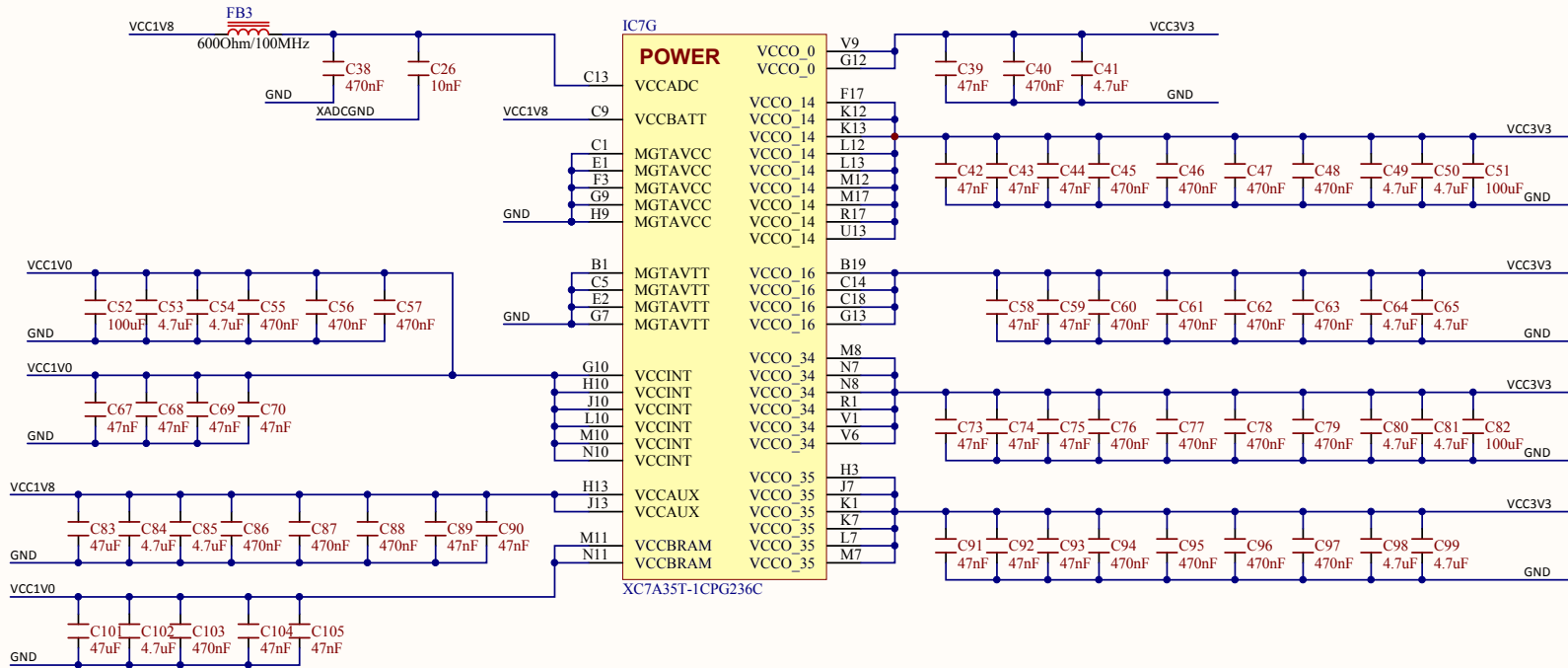
IC7E



XC7A35T-1CPG236C

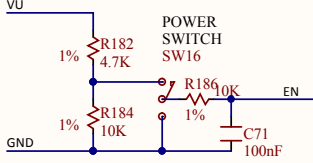
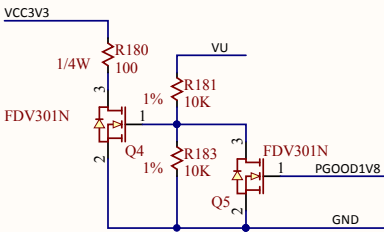
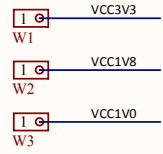
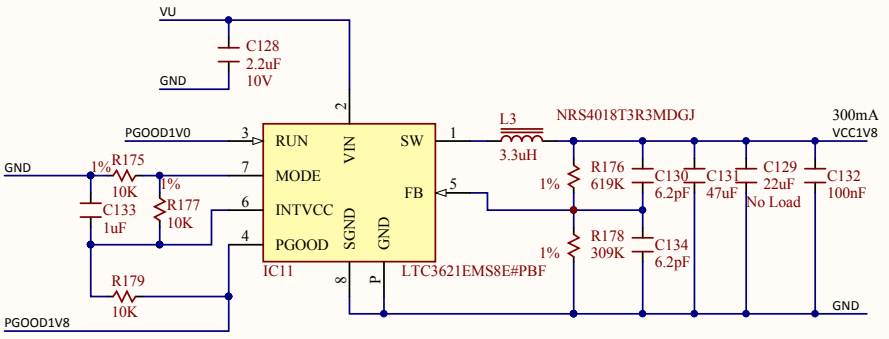
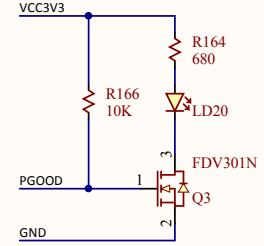
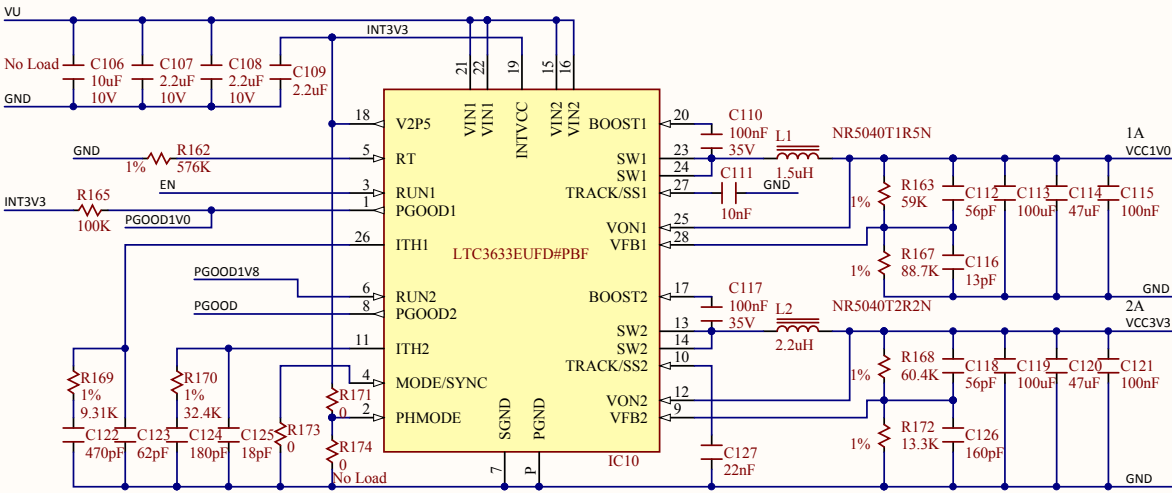
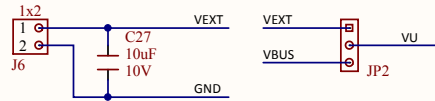


Title		Rev	
Basys 3		C.0	
Circuit		Copyright 2014	
FPGA BANKS			
Doc#	500-183		
Engineer	MTA		
Author	GMA		
Date	5/21/2014		
Sheet#	6 out of 8		



Title		Rev	
<h1>Basys 3</h1>		<h1>C.0</h1>	
		Copyright 2014	
Circuit		FPGA POWER	
Doc#		500-183	
Engineer		MTA	
Author		GMA	
Date		5/21/2014	
Sheet#		7 out of 8	





Title		Rev	
Basys 3		C.0	
Circuit		Copyright 2014	
POWER			
Doc#	500-183		
Engineer	MTA		
Author	GMA		
Date	5/21/2014		
Sheet#	8 out of 8		